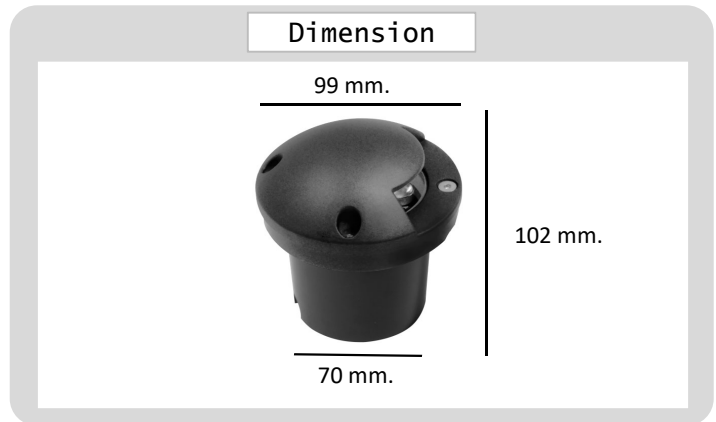


Project : _____

Approve : _____

**Product
Specification**

Product



Specification

PRODUCT CODE	:	IN-247-5207-1-MR16
NAME	:	IN GROUND UPLIGHT
BRAND	:	ARTISAN LIGHTING PHUKET
MATERIAL	:	ALUMINIUM TEMPERED GLASS
MATERIAL COLOR	:	POWDER COATED BLACK
INPUT VOLTAGE	:	12V , 220V
DIMENSION	:	D99x 70 x H102 mm.
CUT OUT	:	96 mm.
LAMP TYPE OPTION	:	MR16 (GU5.3) x1
IP RATING	:	IP65
REMARK	:	LED BULB NOT INCLUDED

Artisan Lighting Phuket Co., Ltd.

100/364-5 Moo.5 Pracha-U-Thid Rd., Rassada, Muang, Phuket 83000 Thailand. Tel : (+66) 076 376 101
Mobile & Line ID : 086 945 8988, 093 579 9471, Email : support@artisanlighting.net, www.artisanlighting.net