

CRS 100W



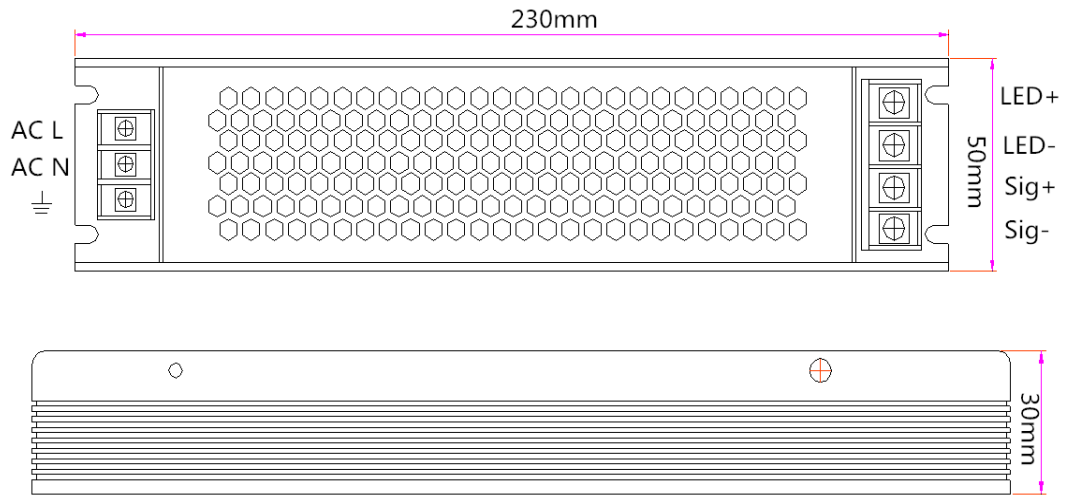
FEATURES

- 0-10V & Triac dimmable 2in1, work with all the dimmers
- IP20, Aluminum case, Slim design, Universal model
- 170-260V AC input, Single output
- 100% full load burn-in test
- Protection: OLP, OCP, SCP
- EN55015 testing standard
- 2 years warranty

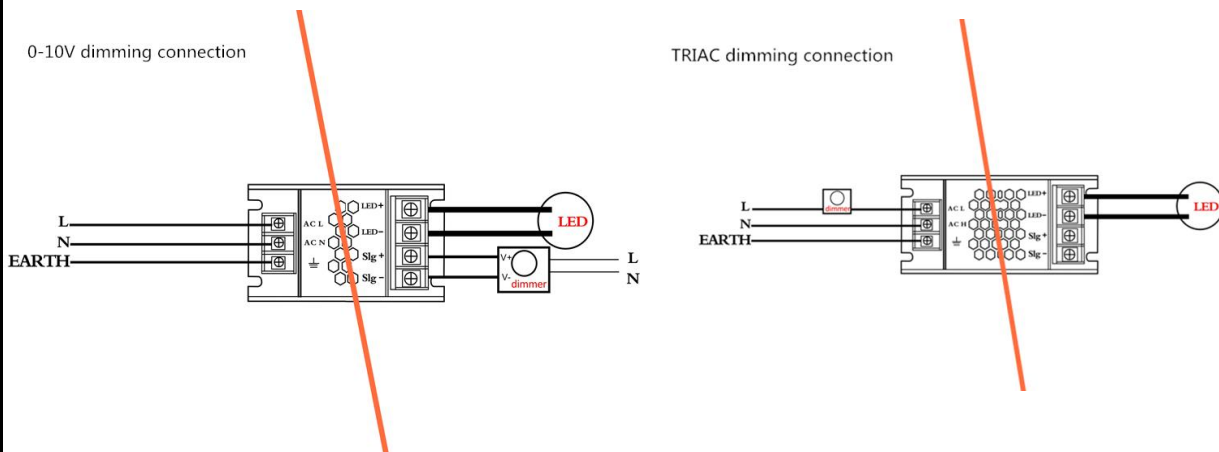
SPECIFICATIONS

MODEL		CPS100-W1V12	CPS100-W1V24				
OUTPUT	RATED VOLTAGE	12V	24V				
	VOLTAGE TOLERANCE	±5%	±5%				
	RATED CURRENT	8.3A	4.1A				
	CURRENT RANGE	0-8.3A	0-4.1A				
	RATED POWER	100W	100W				
	RIPPLE & NOISE (MAX.)	<500mVp-p	<500mVp-p				
	SET-UP, RISE TIME	1500ms, 30ms / 230VAC					
INPUT	VOLTAGE RANGE	170-260VAC					
	FREQUENCY RANGE	50/60 Hz					
	AC CURRENT(Typ.)	1A / 230VAC					
	EFFICIENCY(Typ.)	80%	80%				
	POWER FACTOR(Typ.)	0.6					
PROTECTION	OVER LOAD	Hiccup 110%~150% of the rated power 100W, Shut-down output voltage, auto recovery after fault condition is removed					
	OVER Current	Above Max. Current (105% of rated current) Shut-down output voltage, auto recovery after fault condition is removed					
	SHORT CIRCUIT	When the fan-out is appearing short circuit electrophoresis Shut-down output voltage, auto recovery after fault condition is removed					
AMBIENT	WORKING TEMP. & HUMIDITY	"-20°C~+40°C, 30%~60%RH					
	STORAGE TEMP. & HUMIDITY	"-30°C~+85°C, 30%~98%RH					
TESTINGS	WITHSTAND VOLTAGE	I/P-O/P: 1.5KVAC/1min; I/P-F/G: 1.5KVAC/1min; O/P-F/G: 0.5KVAC/1min;					
	SAFETY	EN 60950-1:2006+A11:2009+A1:2010+A12:2011+A2:2011+A2:2013					
	EMC	EN 55015:2006+A1:2007+A2:2009					
		EN 61547:2009 EN 61000-3-2:2006+A2:2009 EN 61000-3-3:2013					
	LVD	2006/95/EC					
OTHER	LIFESPAN	20000hrs					
	DIMENSION(L*W*H)	230*50*30mm					
	PACKING	0.35kg/pcs, 44pcs/17kg/CTN					
NOTE	1, The above mentioned data were measured at 230VAC input and 25°C. 2, Dis-connect the AC input before checking any mal-phenomenons. 3, Make sure the INPUT&OUTPUT were in right situation before connected to power supply. 4, Datasheet for reference only. We suggest you take sampling before mass orders.						

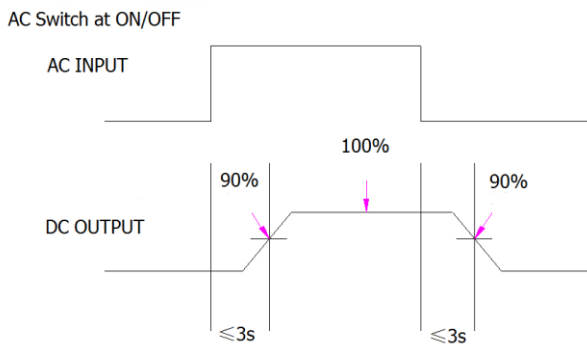
MECHANICAL SPECIFICATION



CONNECTION



TIME SEQUENCE



TEMPERATURE DERATING CURVE

