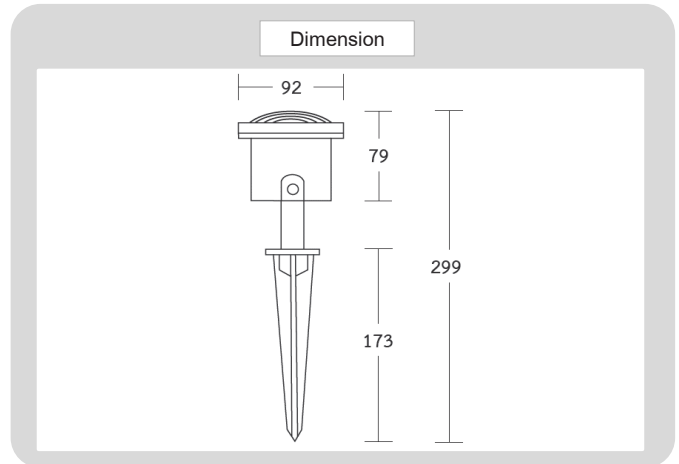


## Product



## Specification

### PRODUCT DETAILS

PRODUCT CODE	:	FL-007-0802
NAME	:	FLOOD LIGHT
BRAND	:	ARISAN LIGHTING PHUKET
MATERIAL	:	ALUMINUM DIE-CAST
FINISHING	:	POWDER COATED BLACK
DIMENSION	:	D92 X 299 mm.
INPUT VOLTAGE	:	220V, (12V OPTIONAL)
LAMP TYPE	:	MR16, GU5.3
IP RATING	:	IP65
REMARK	:	BULB NOT INCLUDED

**Artisan Lighting Phuket Co.,Ltd.**

100/364-5 Moo.5 Pracha-U-Thid Rd., Rassada, Muang, Phuket 83000 Thailand. Tel : (+66) 076 376 101

Mobile & Line ID : 086 945 8988, 093 579 9471 Email : support@artisanlighting.net, www.artisanlighting.net