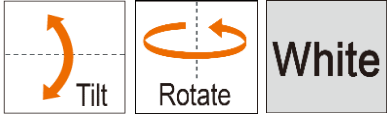
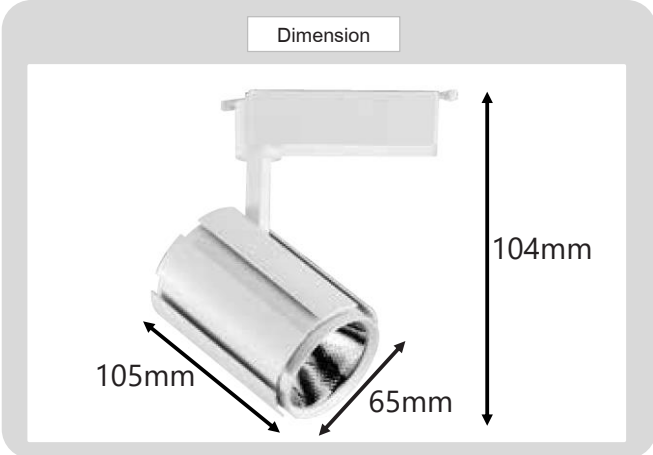


## Product



## Specification

### HOUSING DETAILS

PRODUCT CODE	:	TRA-067-81205-10W
NAME	:	TRACK SPOTLIGHT
BRAND	:	ARTISAN LIGHTING PHUKET
MATERIAL	:	ALUMINUM
FINISHING	:	WHITE
ADJUSTABLE	:	YES
DIMENSION	:	L105 X W65 X H104 mm.
LAMP TYPE	:	LED 10W
COLOR TEMPERATURE CCT	:	3000K, 6400K
IP RATING	:	IP20
REMARK	:	