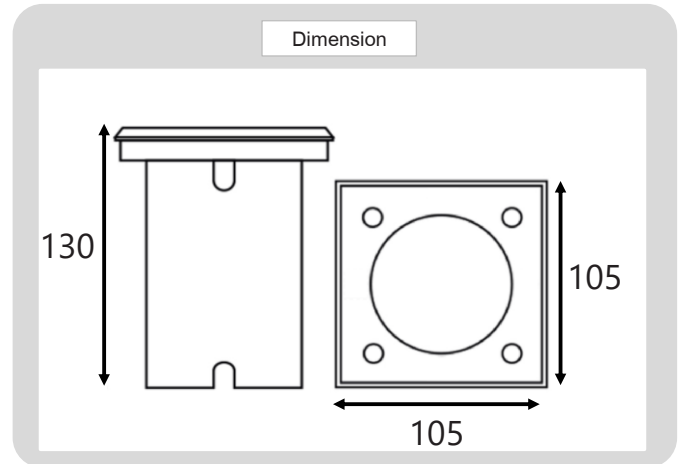


Product



Specification

PRODUCT DETAILS

PRODUCT CODE	:	IN-068-L004R_MR16
NAME	:	INGROUND UP LIGHT
BRAND	:	ARISAN LIGHTING PHUKET
MATERIAL	:	STAINLESS STEEL, ALUMINUM, TEMPERED GLASS
FINISHING	:	SILVER
DIMENSION	:	D 105 X 105 X 130 mm
INPUT VOLTAGE	:	DC12V / (AC220V OPTIONAL)
LAMP TYPE OPTION	:	MR16, GU5.3 (BULB NOT INCLUDED)
IP RATING	:	IP65

CONTROL INTERFACE

CONTROL GEAR	:	ON-OFF LED REMOTE DRIVER (NOT INCLUDED)
REMARK	:	

Artisan Lighting Phuket Co.,Ltd.

100/364-5 Moo.5 Pracha-U-Thid Rd., Rassada, Muang, Phuket 83000 Thailand. Tel : (+66) 076 376 101

Mobile & Line ID : 086 945 8988, 093 579 9471 Email : support@artisanlighting.net, www.artisanlighting.net