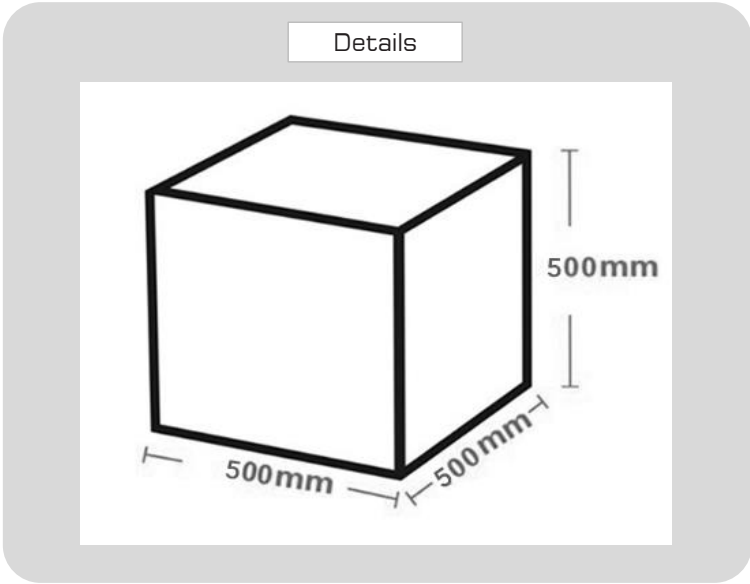


Product



Specification

PRODUCT CODE	:	
NAME	:	STANDING LAMP
BRAND	:	ARTISAN LIGHTING PHUKET
MATERIAL	:	POLYETHYLENE
COLOUR	:	WHITE
LAMP TYPE	:	LED RGB
DIMENSION	:	500 x 500 x 500 mm.
IP RATING	:	IP65
REMARK	:	INCLUDED CHARGER SET ,REMOTE CONTROLER