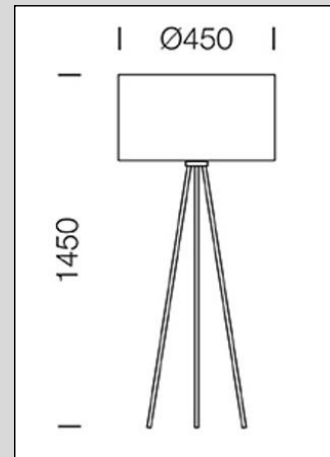


Product



Details



Specification

| | | |
|--------------|---|-------------------------|
| PRODUCT CODE | : | ST-099-3-150 |
| NAME | : | STANDING LAMP |
| BRAND | : | ARTISAN LIGHTING PHUKET |
| MATERIAL | : | METAL |
| COLOUR | : | BLACK, GOLD |
| LAMP TYPE | : | E27 |
| DIMENSION | : | D450 x 1450 mm. |
| REMARK | : | |

Artisan Lighting Phuket Co.,Ltd.

100/364-5 Moo.5 Pracha-U-Thid Rd., Rassada, Muang, Phuket 83000 Thailand. Tel : +66(076)376101-3

Mobile & Line ID : 0818987671, 0887608371 Email : support@artisanlighting.net/boi@artisanlighting.net/www.artisanlighting.net