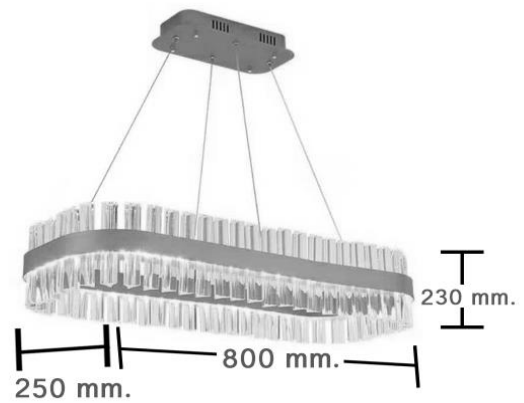


Product



Details



Specification

PRODUCT CODE	:	PE-314-X2016-47-L100
NAME	:	PENDANT LAMP
BRAND	:	ARTISAN LIGHTING PHUKET
MATERIAL	:	METAL + CRYSTAL
COLOUR	:	GOLD
LAMP TYPE	:	STRIP LIGHT
CONTROL GEAR	:	LED DRIVER INCLUDED
DIMENSION	:	1000 x 250 x 230 mm.
REMARK	:	MADE TO ORDER ANY SIZE

Artisan Lighting Phuket Co.,Ltd.

100/364-5 Moo.5 Pracha-U-Thid Rd., Rassada, Muang, Phuket 83000 Thailand. Tel : +66(076)376101-3

Mobile & Line ID : 0818987671, 0887608371 Email : support@artisanlighting.net/boi@artisanlighting.net/www.artisanlighting.net