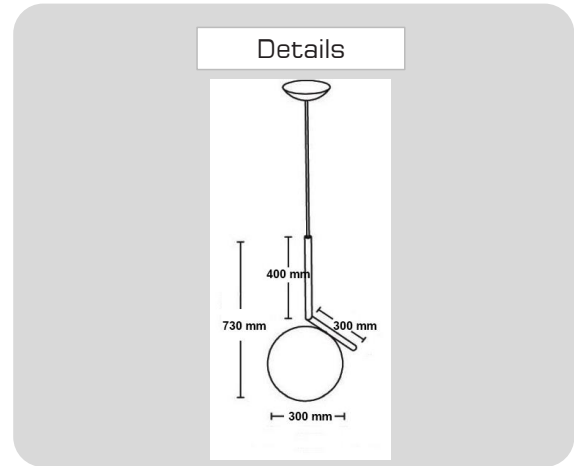


Product



Specification

PRODUCT CODE	:	PE-329-MD2018
NAME	:	Pendant Lamp
BRAND	:	ARTISAN LIGHTING PHUKET
MATERIAL	:	Metal - Opal Glass
COLOUR	:	Gold - white Glass
LAMP TYPE	:	E27 x1
SIZE	:	D35x37
REMARK	:	