

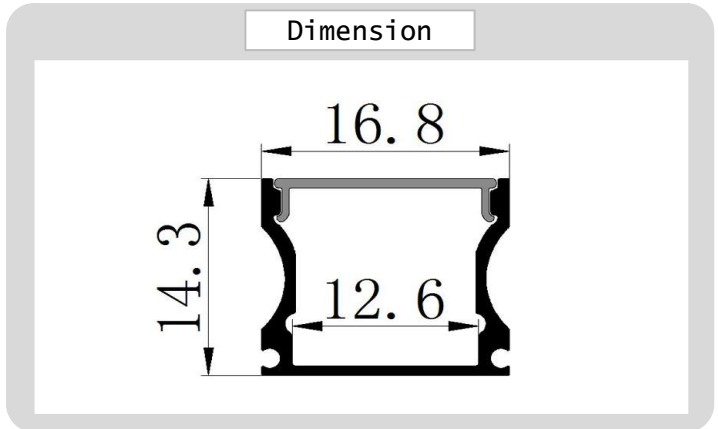
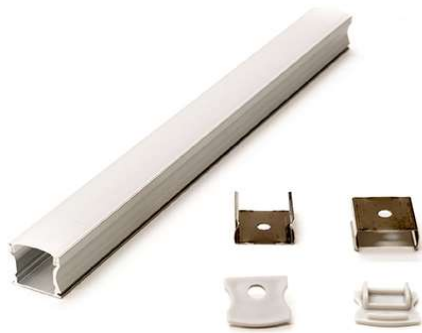


Project : _____

Approve : _____

**Product
Specification**

Product



Specification

PRODUCT CODE : COV-410-1202
NAME : PROFILE COVER
BRAND : ARTISAN LIGHTING PHUKET
MATERIAL : ACRYLIC, ALUMINIUM
FINISHING : GRAY, OPAL ACRYLIC
DIMENSION : W16.8×12.6XH14.3 MM
LENGTH OPTION : 1M, 2M, 3M
REMARK :

Artisan Lighting Phuket Co., Ltd.

100/364-5 Moo.5 Pracha-U-Thid Rd., Rassada, Muang, Phuket 83000 Thailand. Tel : (+66) 076 376 101
Mobile & Line ID : 086 945 8988, 093 579 9471, Email : support@artisanlighting.net, www.artisanlighting.net