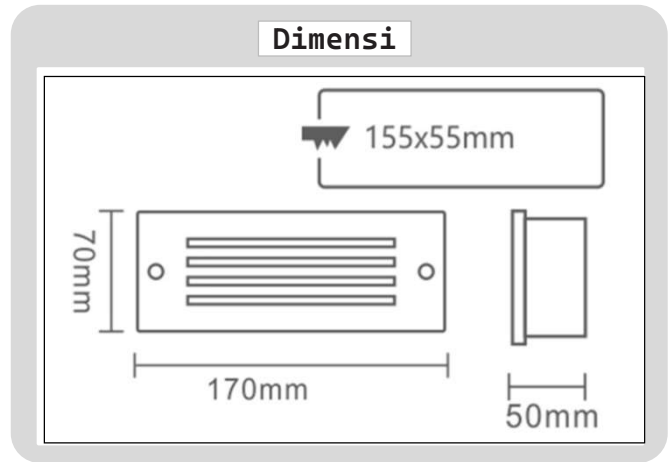


Product



Specification

HOUSING DETAILS

PRODUCT CODE	:	STEP-359-09C
NAME	:	STEPLIGHT OUTDOOR
BRAND	:	ARTISAN LIGHTING PHUKET
MATERIAL	:	STAINLESS STEEL
FINISHING	:	SILVER
DIMENSION	:	L170 x W70 x H50 mm.
CUT OUT	:	155x55 mm.
MOUNTING DETAILS	:	RECESSED MOUNTING

LIGHT SOURCE

LAMP TYPE	:	LED COB 4W (LED BUILD-IN)
INPUT VOLTAGE	:	220V
POWER	:	4W
COLOR TEMPERATURE CCT	:	3000K
IP RATING	:	IP65 WATERPROOF

CONTROL INTERFACE

CONTROL GEAR	:	LED DRIVER BUILD-IN
REMARK	:	