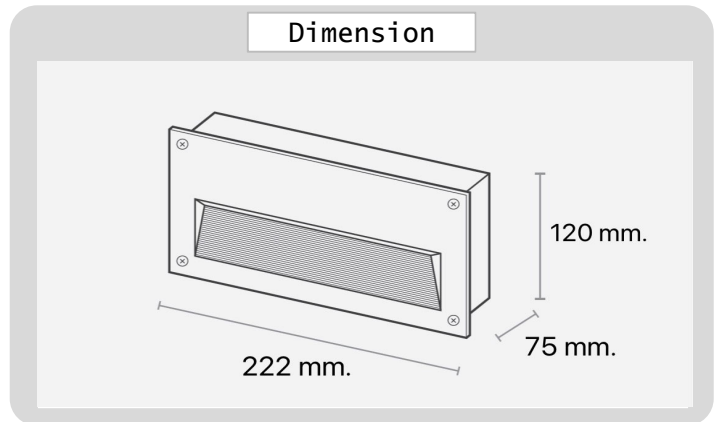


Project : _____

Approve : _____

**Product
Specification**

Product



Specification

PRODUCT CODE	:	STEP-247-3208-E27
NAME	:	STEPLIGHT
BRAND	:	ARTISAN LIGHTING PHUKET
MATERIAL	:	DIE-CAST ALUMINIUM + GLASS
MATERIAL COLOR	:	BLACK
INPUT VOLTAGE	:	220V
DIMENSION	:	W75 x L222 x H120 mm.
CUT OUT	:	214 x 112 mm.
LAMP TYPE OPTION	:	E27 x 1
IP RATING	:	IP54
REMARK	:	LED BULB NOT INCLUDED

Artisan Lighting Phuket Co., Ltd.

100/364-5 Moo.5 Pracha-U-Thid Rd., Rassada, Muang, Phuket 83000 Thailand. Tel : (+66) 076 376 101
Mobile & Line ID : 086 945 8988, 093 579 9471, Email : support@artisanlighting.net, www.artisanlighting.net