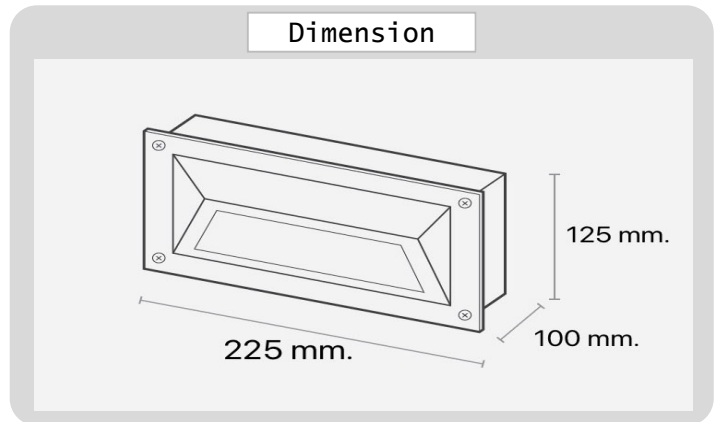


Product



Specification

PRODUCT CODE	:	STEP-247-3207-E27
NAME	:	STEPLIGHT
BRAND	:	ARTISAN LIGHTING PHUKET
MATERIAL	:	DIE-CAST ALUMINIUM + GLASS
MATERIAL COLOR	:	BLACK
INPUT VOLTAGE	:	220V
DIMENSION	:	W100 x L225 x H125 mm.
CUT OUT	:	220 x 100 mm.
LAMP TYPE OPTION	:	E27 x 1
IP RATING	:	IP54
REMARK	:	LED BULB NOT INCLUDED