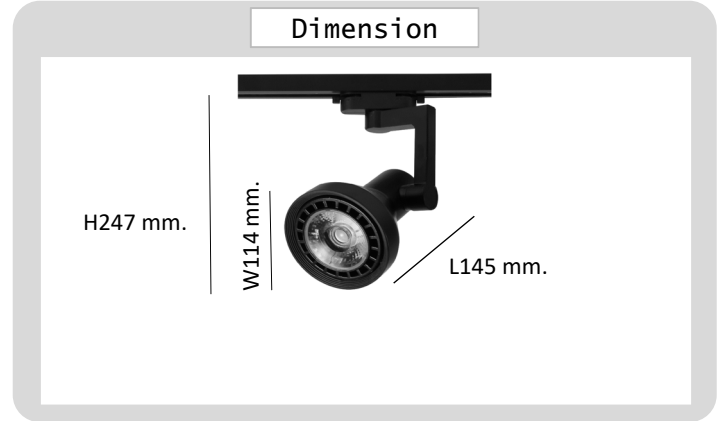




Project : _____
Approve : _____

Product Specification

Product



Specification

PRODUCT CODE	:	SP-247-678A-PAR30-BK
NAME	:	TRACK LIGHT
BRAND	:	ARTISAN LIGHTING PHUKET
MATERIAL	:	ALUMINUM
MATERIAL COLOR	:	BLACK
INPUT VOLTAGE	:	220V
ADJUSTABLE	:	YES
DIMENSION	:	W114 x L145 x H247 mm.
LAMP TYPE OPTION	:	E27 (PAR30) x 1
REMARK	:	LED BULB NOT INCLUDED

Artisan Lighting Phuket Co., Ltd.

100/364-5 Moo.5 Pracha-U-Thid Rd., Rassada, Muang, Phuket 83000 Thailand. Tel : (+66) 076 376 101
Mobile & Line ID : 086 945 8988, 093 579 9471, Email : support@artisanlighting.net, www.artisanlighting.net