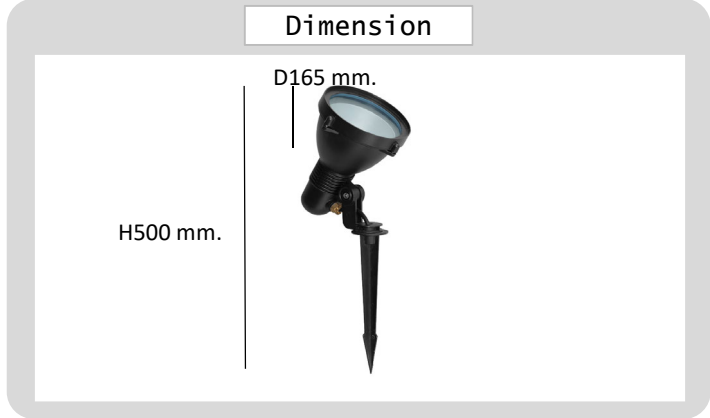




Project : \_\_\_\_\_  
Approve : \_\_\_\_\_

**Product Specification**

**Product**



**Specification**

- PRODUCT CODE : FL-247-5712-E27 PAR38
- NAME : FLOOD LIGHT
- BRAND : ARTISAN LIGHTING PHUKET
- MATERIAL : DIE-CAST ALUMINIUM
- MATERIAL COLOR : BLACK
- INPUT VOLTAGE : 220V
- DIMENSION : D165 x H500 mm.
- LAMP TYPE OPTION : E27 PAR38 x 1
- IP RATING : IP65
- REMARK : LED BULB NOT INCLUDED