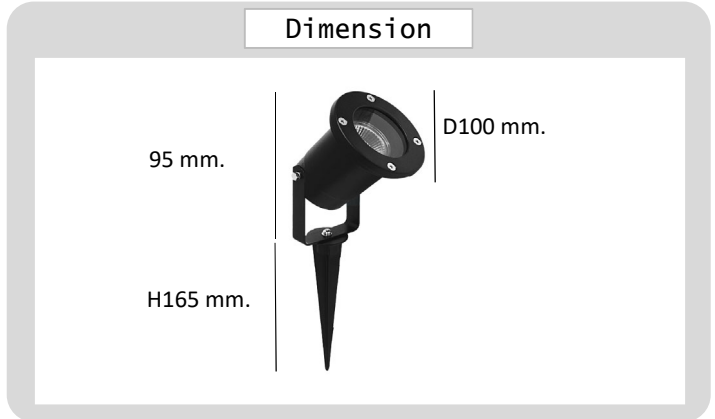




Project : \_\_\_\_\_  
Approve : \_\_\_\_\_

**Product Specification**

**Product**



**Specification**

PRODUCT CODE : FL-247-3701-MR16  
NAME : FLOOD LIGHT  
BRAND : ARTISAN LIGHTING PHUKET  
MATERIAL : DIE-CAST ALUMINIUM  
MATERIAL COLOR : BLACK  
INPUT VOLTAGE : 12V , 220V  
DIMENSION : D100 x L95 x H165 mm.  
LAMP TYPE OPTION : MR16 (GU5.3) x1  
IP RATING : IP65  
REMARK : LED BULB NOT INCLUDED