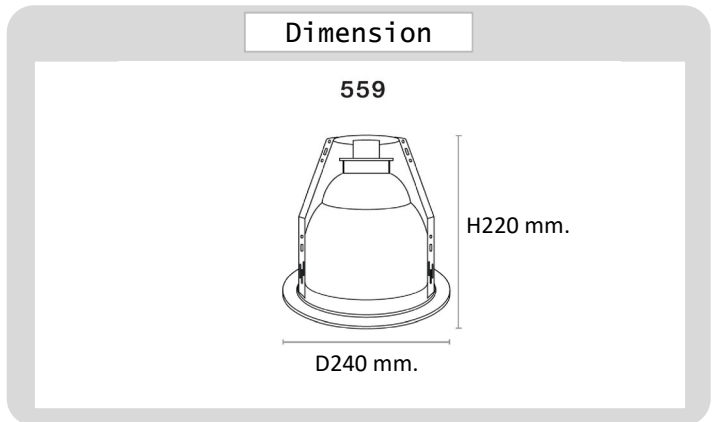


Project : \_\_\_\_\_

Approve : \_\_\_\_\_

**Product  
Specification**

## Product



## Specification

PRODUCT CODE	:	DL-247-559E-WH
NAME	:	DOWNLIGHT
BRAND	:	ARTISAN LIGHTING PHUKET
MATERIAL	:	METAL STEEL , ALUMINIUM REFLECTOR
MATERIAL COLOR	:	WHITE
INPUT VOLTAGE	:	220V
ADJUSTABLE	:	NO
DIMENSION	:	D240x H220 mm.
CUT OUT	:	210 mm.
LAMP TYPE OPTION	:	E27x1
REMARK	:	LED BULB NOT INCLUDED

**Artisan Lighting Phuket Co., Ltd.**

100/364-5 Moo.5 Pracha-U-Thid Rd., Rassada, Muang, Phuket 83000 Thailand. Tel : (+66) 076 376 101  
Mobile & Line ID : 086 945 8988, 093 579 9471, Email : support@artisanlighting.net, www.artisanlighting.net