

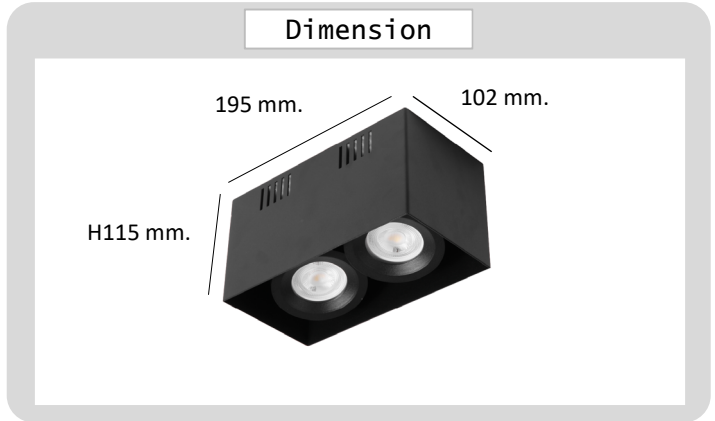


Project : _____

Approve : _____

**Product
Specification**

Product



Specification

| | | |
|------------------|---|----------------------------|
| PRODUCT CODE | : | CE-247-570-2-BK |
| NAME | : | CEILING LAMP |
| BRAND | : | ARTISAN LIGHTING PHUKET |
| MATERIAL | : | METAL STEEL , ALUMINUM |
| FINISHING | : | BLACK |
| ADJUSTABLE | : | YES |
| DIMENSION | : | W102 x L195 x H115 mm. |
| LAMP TYPE OPTION | : | MR16 GU5.3 , GU10 Optional |
| REMARK | : | |

Artisan Lighting Phuket Co., Ltd.

100/364-5 Moo.5 Pracha-U-Thid Rd., Rassada, Muang, Phuket 83000 Thailand. Tel : (+66) 076 376 101
Mobile & Line ID : 086 945 8988, 093 579 9471, Email : support@artisanlighting.net, www.artisanlighting.net