

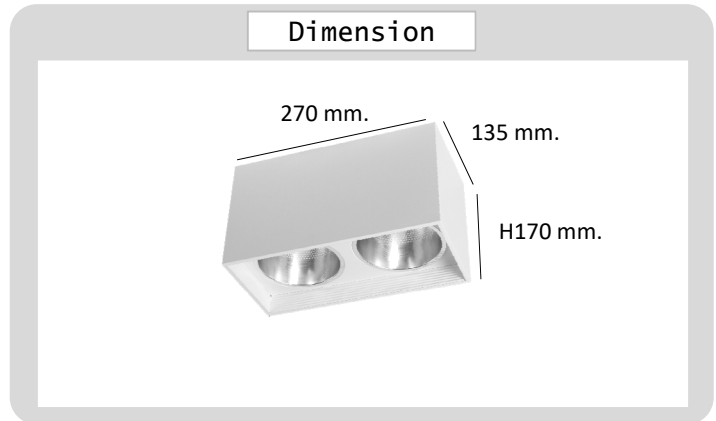


Project : \_\_\_\_\_

Approve : \_\_\_\_\_

**Product  
Specification**

## Product



## Specification

PRODUCT CODE	:	CE-247-552-WH
NAME	:	CEILING LAMP
BRAND	:	ARTISAN LIGHTING PHUKET
MATERIAL	:	METAL STEEL , ALUMINUM REFLECTOR
FINISHING	:	WHITE
ADJUSTABLE	:	NO
DIMENSION	:	W135 x L270 x H170 mm.
LAMP TYPE OPTION	:	E27x2
REMARK	:	

**Artisan Lighting Phuket Co., Ltd.**

100/364-5 Moo.5 Pracha-U-Thid Rd., Rassada, Muang, Phuket 83000 Thailand. Tel : (+66) 076 376 101  
Mobile & Line ID : 086 945 8988, 093 579 9471, Email : support@artisanlighting.net, www.artisanlighting.net