

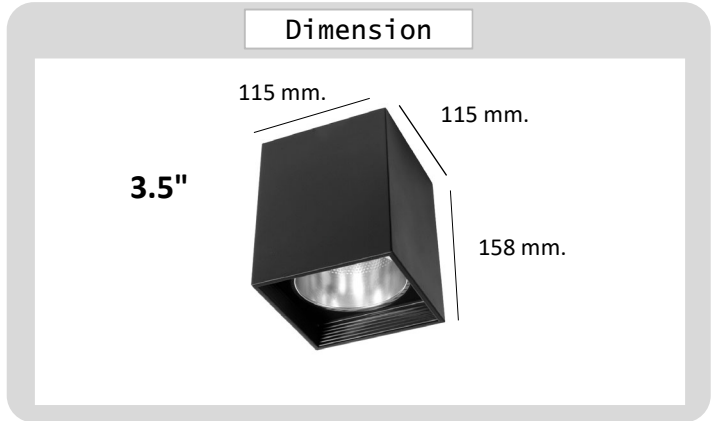


Project : _____

Approve : _____

**Product
Specification**

Product



Specification

PRODUCT CODE	:	CE-247-551-BK
NAME	:	CEILING LAMP
BRAND	:	ARTISAN LIGHTING PHUKET
MATERIAL	:	METAL STEEL , ALUMINUM REFLECTOR
FINISHING	:	BLACK
ADJUSTABLE	:	NO
DIMENSION	:	115 x 115 x H158 mm.
LAMP TYPE OPTION	:	E27x1
REMARK	:	

Artisan Lighting Phuket Co., Ltd.

100/364-5 Moo.5 Pracha-U-Thid Rd., Rassada, Muang, Phuket 83000 Thailand. Tel : (+66) 076 376 101
Mobile & Line ID : 086 945 8988, 093 579 9471, Email : support@artisanlighting.net, www.artisanlighting.net