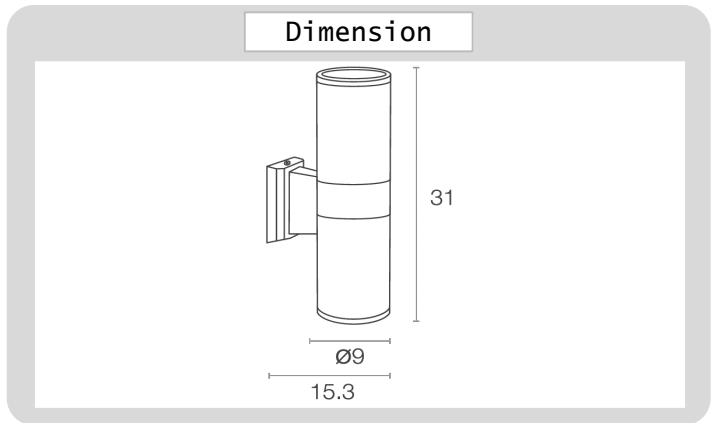




Project : _____
Approve : _____

Product Specification

Product



Specification

| | | |
|------------------|---|--------------------------|
| PRODUCT CODE | : | WA-247-M3302-E27 |
| NAME | : | OUTDOOR WALL LAMP |
| BRAND | : | ARTISAN LIGHTING PHUKET |
| MATERIAL | : | DIE-CAST ALUMINUM+ GLASS |
| FINISHING | : | POWDER COATED BLACK |
| DIMENSION | : | 90 X 153 X H310 mm. |
| LAMP TYPE OPTION | : | E27 X 2 |
| IP RATING | : | IP54 |
| REMARK | : | LED BULB NOT INCLUDED |

Artisan Lighting Phuket Co., Ltd.

100/364-5 Moo.5 Pracha-U-Thid Rd., Rassada, Muang, Phuket 83000 Thailand. Tel : (+66) 076 376 101
Mobile & Line ID : 086 945 8988, 093 579 9471, Email : support@artisanlighting.net, www.artisanlighting.net