

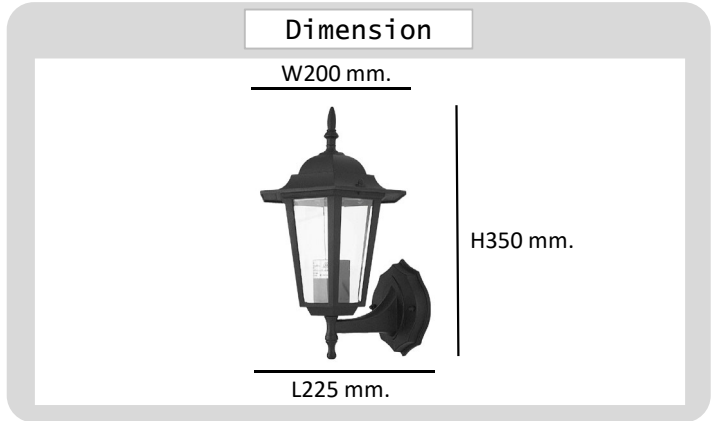


Project : _____

Approve : _____

**Product
Specification**

Product



Specification

PRODUCT CODE	:	WA-247-5009W-E27
NAME	:	OUTDOOR WALL LAMP
BRAND	:	ARTISAN LIGHTING PHUKET
MATERIAL	:	DIE-CAST ALUMINIUM GLASS
FINISHING	:	POWDER COATED BLACK
DIMENSION	:	W200 X L225 X H350 mm.
LAMP TYPE OPTION	:	E27 X 1
IP RATING	:	IP44
REMARK	:	LED BULB NOT INCLUDED

Artisan Lighting Phuket Co., Ltd.

100/364-5 Moo.5 Pracha-U-Thid Rd., Rassada, Muang, Phuket 83000 Thailand. Tel : (+66) 076 376 101
Mobile & Line ID : 086 945 8988, 093 579 9471, Email : support@artisanlighting.net, www.artisanlighting.net