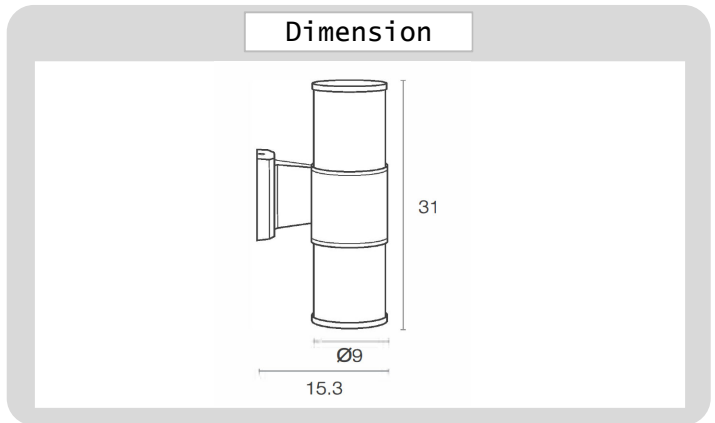




Project : \_\_\_\_\_  
Approve : \_\_\_\_\_

## Product Specification

### Product



### Specification

PRODUCT CODE	:	WA-247-2004-E27
NAME	:	OUTDOOR WALL LAMP
BRAND	:	ARTISAN LIGHTING PHUKET
MATERIAL	:	DIE-CAST ALUMINUM+ GLASS
FINISHING	:	POWDER COATED BLACK / GREY
DIMENSION	:	90 X 153 X H310 mm.
LAMP TYPE OPTION	:	E27 X 2
IP RATING	:	IP54
REMARK	:	LED BULB NOT INCLUDED

## Artisan Lighting Phuket Co., Ltd.

100/364-5 Moo.5 Pracha-U-Thid Rd., Rassada, Muang, Phuket 83000 Thailand. Tel : (+66) 076 376 101  
Mobile & Line ID : 086 945 8988, 093 579 9471, Email : support@artisanlighting.net, www.artisanlighting.net