

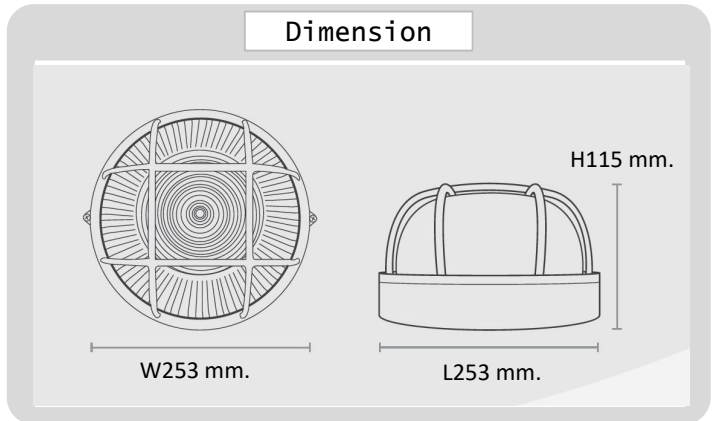


Project : \_\_\_\_\_

Approve : \_\_\_\_\_

**Product  
Specification**

## Product



## Specification

PRODUCT CODE	:	WA-247-1102-L-E27
NAME	:	OUTDOOR WALL LAMP
BRAND	:	ARTISAN LIGHTING PHUKET
MATERIAL	:	DIE-CAST ALUMINUM+GLASS
FINISHING	:	POWDER COATED BLACK / WHITE
DIMENSION	:	W253 X L253 X H115 mm.
LAMP TYPE OPTION	:	E27 X 1
IP RATING	:	IP54
REMARK	:	LED BULB NOT INCLUDED

**Artisan Lighting Phuket Co., Ltd.**

100/364-5 Moo.5 Pracha-U-Thid Rd., Rassada, Muang, Phuket 83000 Thailand. Tel : (+66) 076 376 101  
Mobile & Line ID : 086 945 8988, 093 579 9471, Email : support@artisanlighting.net, www.artisanlighting.net