

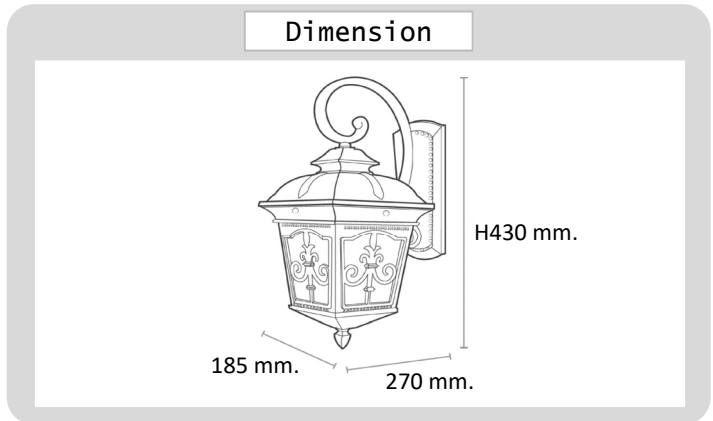


Project : \_\_\_\_\_

Approve : \_\_\_\_\_

**Product  
Specification**

## Product



## Specification

|                  |   |                            |
|------------------|---|----------------------------|
| PRODUCT CODE     | : | WA-247-014WD-MC-E27        |
| NAME             | : | OUTDOOR WALL LAMP          |
| BRAND            | : | ARTISAN LIGHTING PHUKET    |
| MATERIAL         | : | DIE-CAST ALUMINIUM   GLASS |
| FINISHING        | : | POWDER COATED BLACK        |
| DIMENSION        | : | 185 X 270 X H430 mm.       |
| LAMP TYPE OPTION | : | E27 X 1                    |
| IP RATING        | : | IP44                       |
| REMARK           | : | LED BULB NOT INCLUDED      |

**Artisan Lighting Phuket Co., Ltd.**

100/364-5 Moo.5 Pracha-U-Thid Rd., Rassada, Muang, Phuket 83000 Thailand. Tel : (+66) 076 376 101  
Mobile & Line ID : 086 945 8988, 093 579 9471, Email : support@artisanlighting.net, www.artisanlighting.net