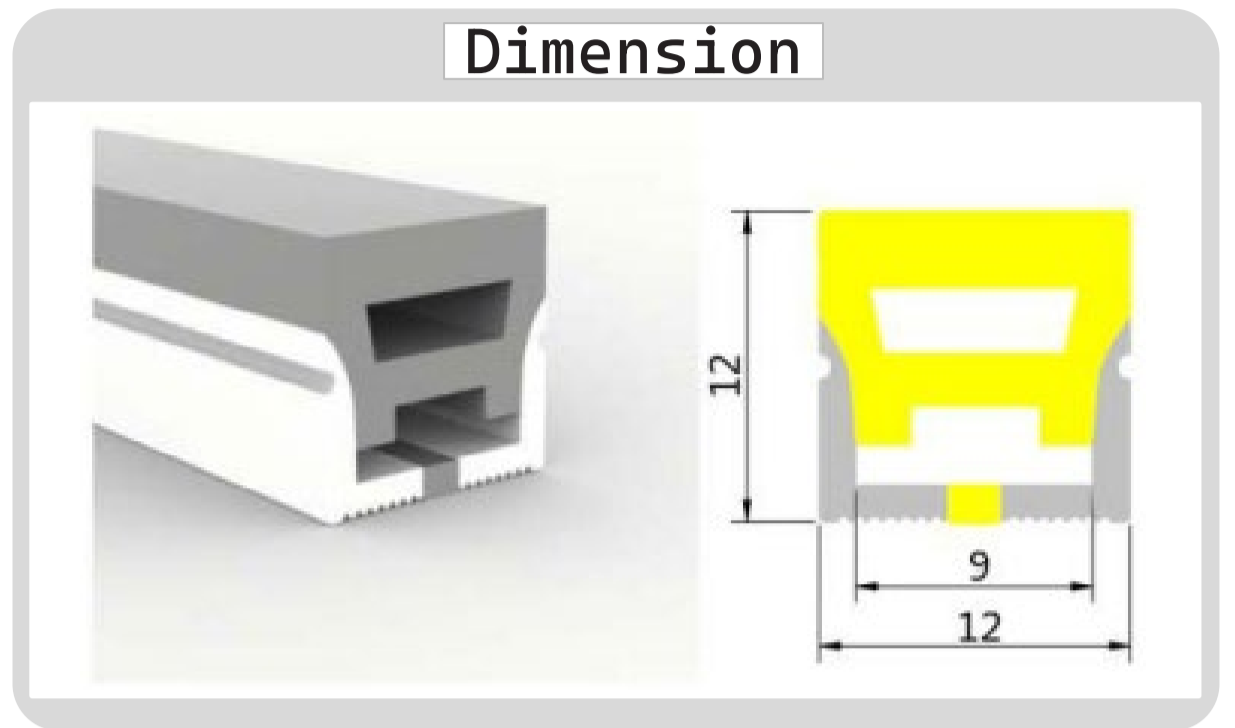


Product



Dimension



Specification

PHYSICAL DETAILS

PRODUCT CODE	:	NEON-346-10W-RGB
NAME	:	NEON STRIP LIGHT
BRAND	:	ARTISAN LIGHTING PHUKET
DIMENSION	:	W12 X L1000 X H12
OPERATING TEMPRATURE	:	-25 ~ 50
IP RATING	:	IP67
HOUSING	:	PVC, SILICONE

TECHNICAL DETAILS

CHIP TYPE & LEDS/M	:	SMD 5050, 60LEDS/M
INPUT VOLTAGE	:	24VDC (12VDC ,AC220V OPTIONAL)
WATTAGE/M	:	10W PER METER
COLOR TEMPERATURE CCT	:	RGB
DIMMABLE	:	YES
CRI	:	80 / (90 OPTIONAL)
BEAM ANGLE	:	120°
LIFE TIME	:	45,000 Hrs.
CUT POINT	:	100 mm.
LGHT OUT	:	Vertical , (Horizontal Optional)

CONTROL INTERFACE

CONTROL GEAR DRIVER	:	ON-OFF POWER SUPPLY REMOTE DRIVER
DIMMABLE MODE OPTIONAL	:	REMOTE DRIVER DIMMABLE 1-10V TRIAC - DALI RGB Controller , DMX 512 RGB

REMARK :

Artisan Lighting Phuket Co.,Ltd.

100/364-5 Moo.5 Pracha-U-Thid Rd., Rassada, Muang, Phuket 83000 Thailand. Tel : (+66) 076 376 101

Mobile & Line ID : 086 945 8988, 093 579 9471 Email : support@artisanlighting.net,