

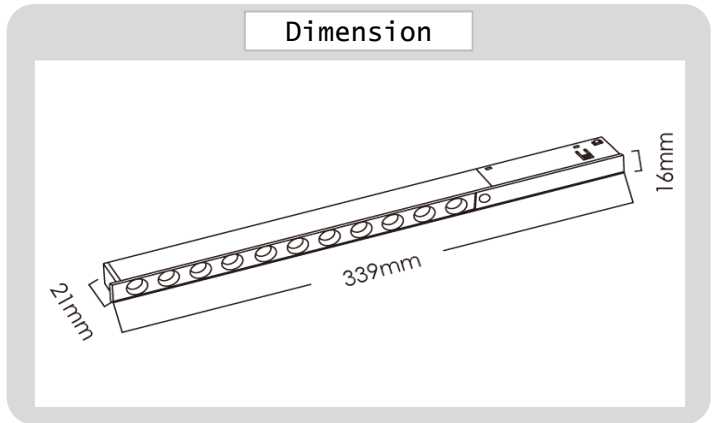


Project : _____

Approve : _____

**Product
Specification**

Product



Specification

| | | |
|---------------|---|-------------------------|
| PRODUCT CODE | : | MG-321-C16G220 |
| NAME | : | MAGNETIC TRACK LIGHT |
| BRAND | : | ARTISAN LIGHTING PHUKET |
| MATERIAL | : | DIE-CAST ALUMINUM |
| FINISHING | : | SAND BLACK |
| INPUT VOLTAGE | : | DC 48V |
| LAMP TYPE | : | LED BUILD IN |
| POWER | : | 12W |
| CCT | : | 2700K,3000k, 4000K |
| BEAM ANGLE | : | 30D |
| CRI RATING | : | CRI 90 |
| LUMEN | : | 500Lm |
| DIMENSION | : | 21x339x16 mm. |
| REMARK | : | |

Artisan Lighting Phuket Co., Ltd.

100/364-5 Moo.5 Pracha-U-Thid Rd., Rassada, Muang, Phuket 83000 Thailand. Tel : (+66) 076 376 101
Mobile & Line ID : 086 945 8988, 093 579 9471, Email : support@artisanlighting.net, www.artisanlighting.net