

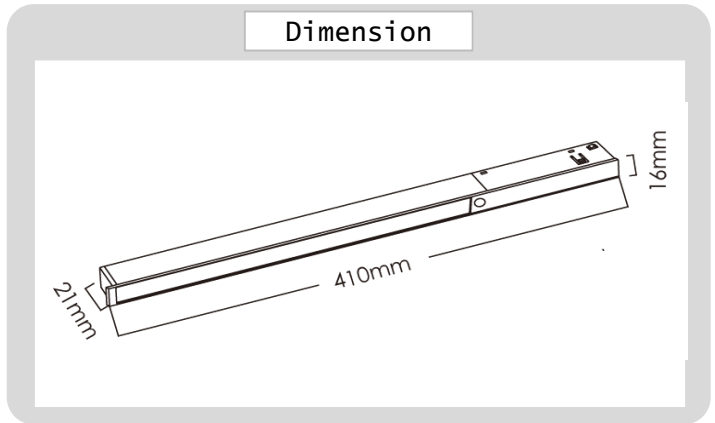


Project : _____

Approve : _____

**Product
Specification**

Product



Specification

PRODUCT CODE	: MG-321-C16F300
NAME	: MAGNETIC TRACK LIGHT
BRAND	: ARTISAN LIGHTING PHUKET
MATERIAL	: DIE-CAST ALUMINUM
FINISHING	: SAND BLACK
INPUT VOLTAGE	: DC 48V
LAMP TYPE	: LED BUILD IN
POWER	: 12W
CCT	: 2700K,3000k, 4000K
BEAM ANGLE	: 90D
CRI RATING	: CRI 90
DIMENSION	: 21x410x16 mm.
LUMEN	: 385Lm
REMARK	:

Artisan Lighting Phuket Co., Ltd.

100/364-5 Moo.5 Pracha-U-Thid Rd., Rassada, Muang, Phuket 83000 Thailand. Tel : (+66) 076 376 101
Mobile & Line ID : 086 945 8988, 093 579 9471, Email : support@artisanlighting.net, www.artisanlighting.net