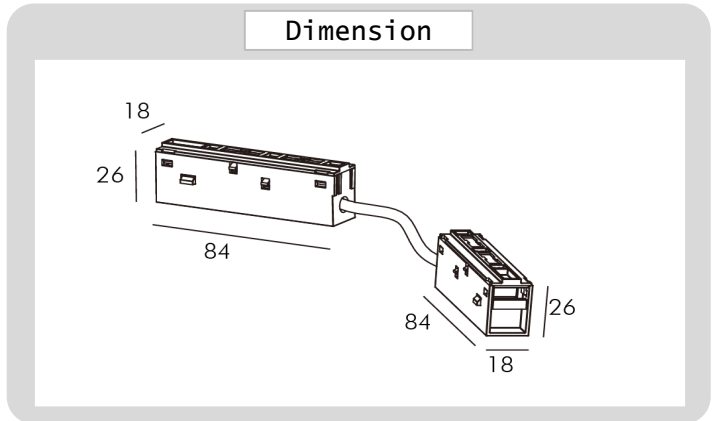




Project : _____
Approve : _____

Product Specification

Product



Specification

PRODUCT CODE : MG-321-20DYTL
NAME : CORNER CONDUCTIVE MODULE CONNECTO 5CM,15CM
BRAND : ARTISAN LIGHTING PHUKET
MATERIAL : PC+ RED COPPER
FINISHING : BLACK
INPUT VOLTAGE : 48V DC
DIMENSION : W18xH26xL300 mm.
REMARK :

Artisan Lighting Phuket Co., Ltd.

100/364-5 Moo.5 Pracha-U-Thid Rd., Rassada, Muang, Phuket 83000 Thailand. Tel : (+66) 076 376 101
Mobile & Line ID : 086 945 8988, 093 579 9471, Email : support@artisanlighting.net, www.artisanlighting.net