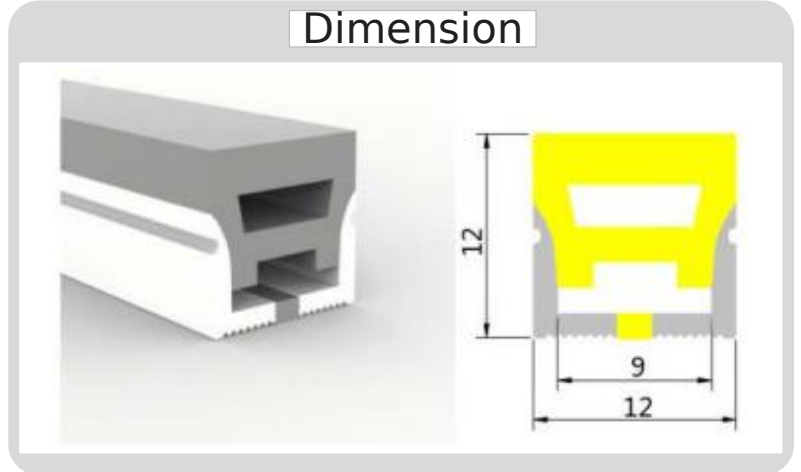


Product



Dimension



Specification

PHYSICAL DETAILS

PRODUCT CODE	:	NEON-346-12W
NAME	:	NEON STRIP LIGHT
BRAND	:	ARTISAN LIGHTING PHUKET
DIMENSION	:	12x12 mm.
OPERATING TEMPRATURE	:	-25°C ~ 50°C
IP RATING	:	IP67
HOUSING	:	PVC, SILICONE

TECHNICAL DETAILS

CHIP TYPE & LEDS/M	:	SMD 5050, 120 LEDS/M
INPUT VOLTAGE	:	AC220V, (24VDC, 12VDC OPTIONAL)
WATTAGE/M	:	12W PER METER
COLOR TEMPERATURE CCT	:	2700K, 3000k, 4000k, 6000k
DIMMABLE	:	NO / (YES OPTIONAL)
CRI	:	80 / (90 OPTIONAL)
BEAM ANGLE	:	160°
LIFE TIME	:	45,000 Hrs.

CONTROL INTERFACE

CONTROL GEAR DRIVER	:	ON-OFF POWER SUPPLY REMOTE DRIVER
DIMMABLE MODE OPTIONAL	:	REMOTE DRIVER DIMMABLE 1-10V TRIAC - DALI
REMARK	:	

Artisan Lighting Phuket Co.,Ltd.

100/364-5 Moo.5 Pracha-U-Thid Rd., Rassada, Muang, Phuket 83000 Thailand. Tel : (+66) 076 376 101

Mobile & Line ID : 086 945 8988, 093 579 9471 Email : support@artisanlighting.net,