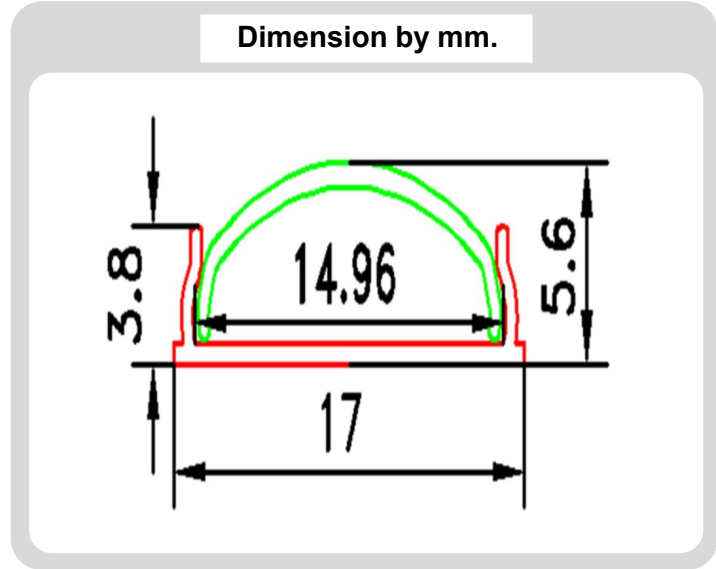


**Product**



**Specification**

|           |                         |
|-----------|-------------------------|
| CODE      | COV-324-U45             |
| NAME      | PROFILE COVER           |
| BRAND     | ARTISAN LIGHTING PHUKET |
| MATERIAL  | ALUMINUM, ACRYLIC       |
| FINISHING | GRAY, OPAL ACRYLIC      |
| DIMENSION | 17xH56 mm.              |
| IP RATING | IP20                    |
| REMARK    |                         |

**Artisan Lighting Phuket Co.,Ltd.**

100/364-5 Moo.5 Pracha-U-Thid Rd., Rassada, Muang, Phuket 83000 Thailand. Tel : (+66) 076 376 101,  
 M & Line ID: 065 348 7671, 093 579 9471, Email: support@artisanlighting.net, www.artisanlighting.net