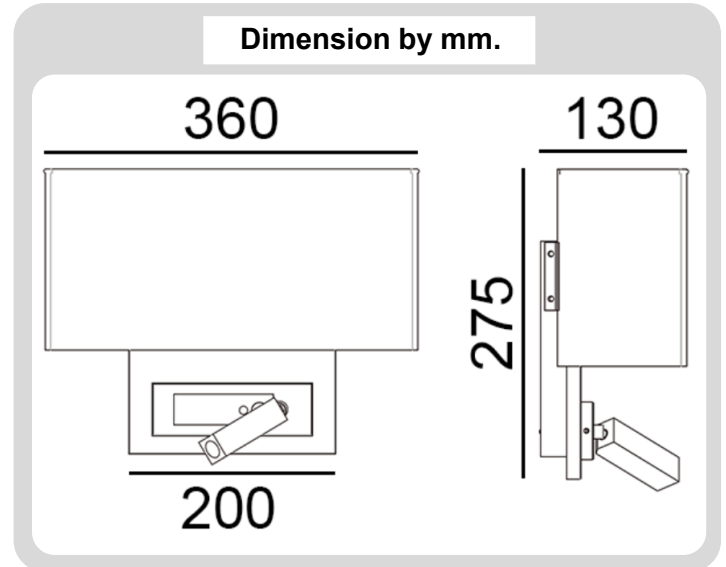
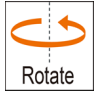


Product



CREE LEDs



Specification

CODE	: RD-300-61
NAME	: READING LAMP
BRAND	: ARTISAN LIGHTING PHUKET
MATERIAL	: METAL, FABRIC SHADE
FINISHING	: BLACK, WHITE, CHROME, SATIN NICKEL, : BLACK BRONZE, BRUSHED BRASS ETC.
LAMP TYPE	: LED COB CREE, E27x1
POWER	: 3W, 1-3W OPTIONAL
LED COLOUR	: 2700K, 3000K, 4000K, 5000K
BEAM ANGLE	: 30°, 15°, 38° OPTIONAL
LUMEN	: 120LM
CONTROL GEAR	: LED DRIVER (INCLUDED) UL/SAATUV/CE LISTED
SIZE	: 360x130xH275 mm.
INSTALLATION	: SURFACE MOUNTED
WARRANTY	: 2 YEARS
REMARK	:

Artisan Lighting Phuket Co.,Ltd.

100/364-5 Moo.5 Pracha-U-Thid Rd., Rassada, Muang, Phuket 83000 Thailand. Tel : (+66) 076 376 101,
M & Line ID: 065 348 7671, 093 579 9471, Email: support@artisanlighting.net, www.artisanlighting.net