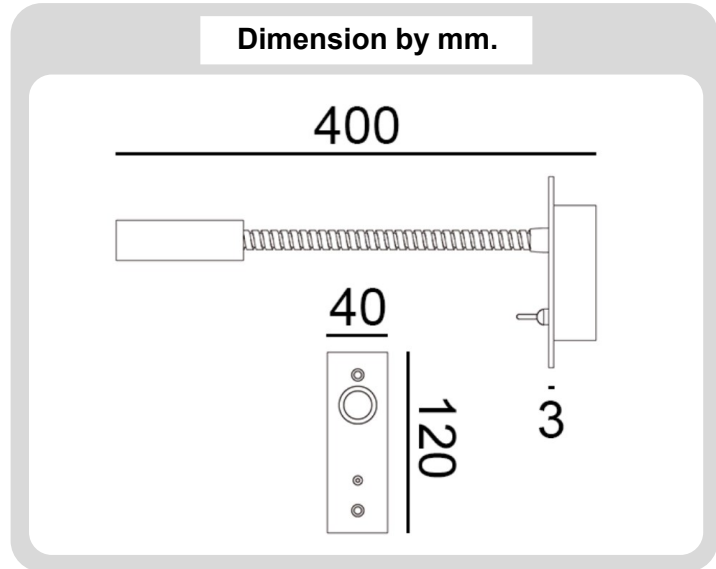
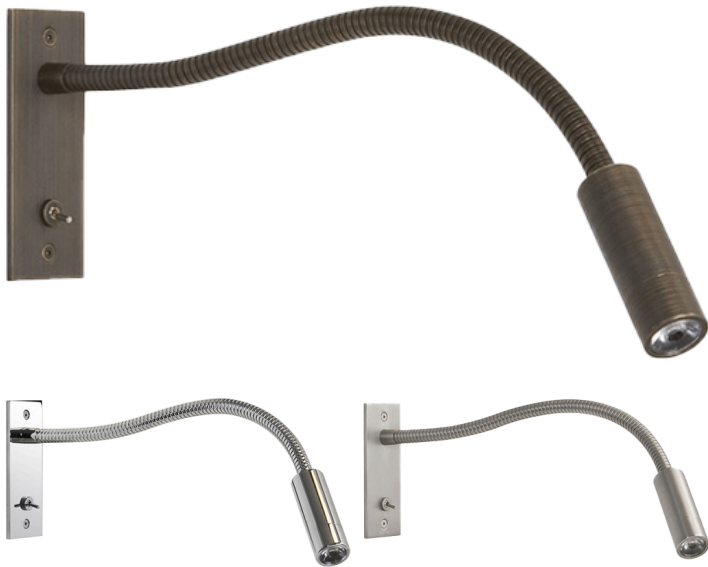


Product



Specification

| | |
|--------------|---|
| CODE | : RD-300-58 |
| NAME | : READING LAMP |
| BRAND | : ARTISAN LIGHTING PHUKET |
| MATERIAL | : METAL, DIE-CAST ALUMINUM |
| FINISHING | : BLACK, WHITE, CHROME, SATIN NICKEL, : BLACK BRONZE, BRUSHED BRASS ETC. |
| LAMP TYPE | : LED COB CREE |
| POWER | : 3W, 1-3W OPTIONAL |
| LED COLOUR | : 2700K, 3000K, 4000K, 5000K |
| BEAM ANGLE | : 30°, 15°, 38° OPTIONAL |
| LUMEN | : 120LM |
| CONTROL GEAR | : LED DRIVER (INCLUDED) UL/SAATUV/CE LISTED |
| SIZE | : W40xL400xH120 mm. |
| CUT-OUT | : W30xL100xH30 mm. |
| INSTALLATION | : RECESSED INTO WALL / HEADBOARD |
| WARRANTY | : 2 YEARS |
| REMARK | : |

Artisan Lighting Phuket Co.,Ltd.