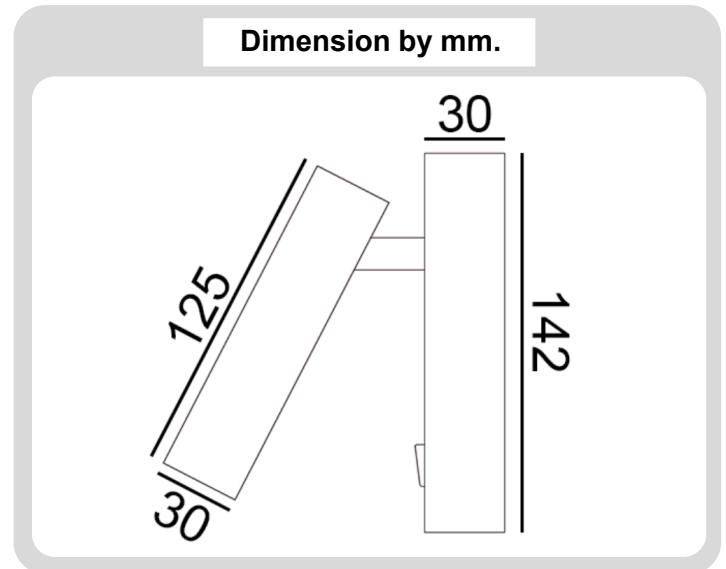


## Product



## Specification

|              |   |
|--------------|---|
| CODE         | : RD-300-27   |
| NAME         | : READING LAMP  |
| BRAND        | : ARTISAN LIGHTING PHUKET   |
| MATERIAL     | : METAL, DIE-CAST ALUMINUM  |
| FINISHING    | : BLACK, WHITE, CHROME, SATIN NICKEL,<br>: BLACK BRONZE, BRUSHED BRASS ETC. |
| LAMP TYPE    | : LED COB CREE  |
| POWER        | : 3W, 1-3W OPTIONAL   |
| LED COLOUR   | : 2700K, 3000K, 4000K, 5000K  |
| BEAM ANGLE   | : 30°, 15°, 38° OPTIONAL  |
| LUMEN        | : 120LM   |
| CONTROL GEAR | : LED DRIVER (INCLUDED) UL/SAATUV/CE LISTED                                 |
| SIZE         | : 142x30x120 mm.  |
| INSTALLATION | : SURFACE MOUNTED   |
| WARRANTY     | : 2 YEARS   |
| REMARK       | :   |

**Artisan Lighting Phuket Co.,Ltd.**

100/364-5 Moo.5 Pracha-U-Thid Rd., Rassada, Muang, Phuket 83000 Thailand. Tel : (+66) 076 376 101,  
M & Line ID: 065 348 7671, 093 579 9471, Email: support@artisanlighting.net, www.artisanlighting.net