

Electronic transformers

ET-E 60 220-240V 50/60Hz

A high frequency electronic transformer for operation with 12V halogen lamps. It is fully IEC compliant with unique compact size and light weight

Warnings and Safety

- Transformer is not suitable for DC operation

Product data

General Information	
Type version	-
Lamp type	LV Halogen
Automatic restart	Yes
Operating and Electrical	
Input Voltage	220 to 240 V
Input frequency	50 to 60 Hz
Power factor 100% load (nom.)	0.9
Mains voltage performance (AC)	-10% - +10%
Mains voltage safety (AC)	-8% - +6%
Power losses (nom.)	4 W
Inrush current peak (max.)	15 A
Output voltage	- V
Wiring	
Cable capacity wires device to lamp (max.)	120 nF
Cable length from device to lamp	1.5 m
Wire strip length	8.0-9.0 mm

Cable capacity output wires to earth (max.)	120 pF
---	--------

System characteristics

Rated ballast-lamp power	60 W
--------------------------	------

Temperature

T-ambient (max.)	50 °C
T-ambient (min.)	-20 °C
T storage (max.)	80 °C
T storage (min.)	-40 °C
T-Case maximum (max.)	65 °C

Approval and Application

Humming and noise level	< 30 dB(A)
-------------------------	------------

Product Data

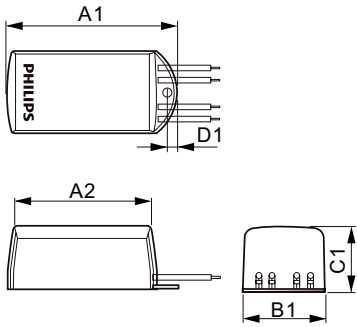
Full product code	697013372901400
Order product name	ET-E 60 220-240V 50/60Hz
EAN/UPC – product	6970133729014
Order code	913710031101

Electronic transformers

SAP numerator – quantity per pack	1
Numerator – packs per outer box	48
SAP material	913710031101

SAP net weight (piece)	0.056 kg
------------------------	----------

Dimensional drawing



Product	D1	C1	A1	B1
ET-E 60 220-240V 50/60Hz	4.4 mm	24.5 mm	76.0 mm	38.0 mm

ET-E 60 220-240V 50/60Hz

