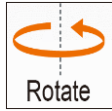
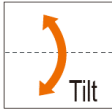
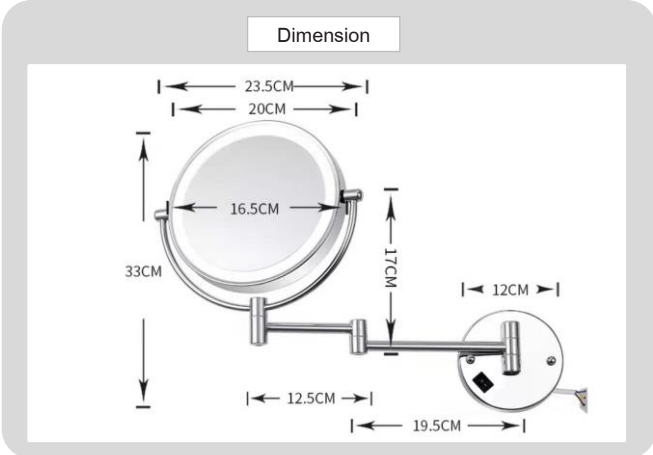


## Product



**IP44  
RATING**

## Specification

### HOUSING DETAILS

PRODUCT CODE	:	WA-360-SM2100
NAME	:	WALL MIRROR LAMP
BRAND	:	ARTISAN LIGHTING PHUKET
MATERIAL	:	GLASS, METAL
FINISHING	:	CHROME
ADJUSTABLE	:	YES
DIMENSION	:	235 X 440 X H 330 mm.
MIRROR TYPE	:	NORMAL & X3 ZOOM
LAMP TYPE	:	LED 5 W 5700K COOL WHITE
IP RATING	:	IP44
REMARK	:	LED + DRIVER BUILD-IN