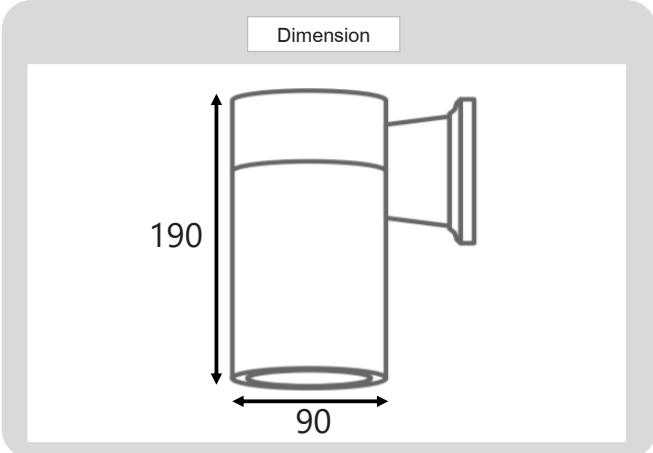


## Product



## Specification

### PRODUCT DETAILS

|                  |   |                          |
|------------------|---|--------------------------|
| PRODUCT CODE     | : | WA-068-103               |
| NAME             | : | WALL LAMP OUTDOOR        |
| BRAND            | : | ARISAN LIGHTING PHUKET   |
| MATERIAL         | : | ALUMINUM DIE-CAST, GLASS |
| FINISHING        | : | POWDER COATED BLACK      |
| ADJUSTABLE       | : | NO                       |
| DIMENSION        | : | D90 X H190 mm.           |
| LAMP TYPE OPTION | : | E27 X 1                  |
| IP RATING        | : | IP65                     |
| REMARK           | : | LED BULB NOT INCLUDED    |