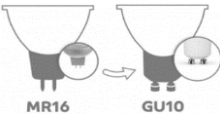
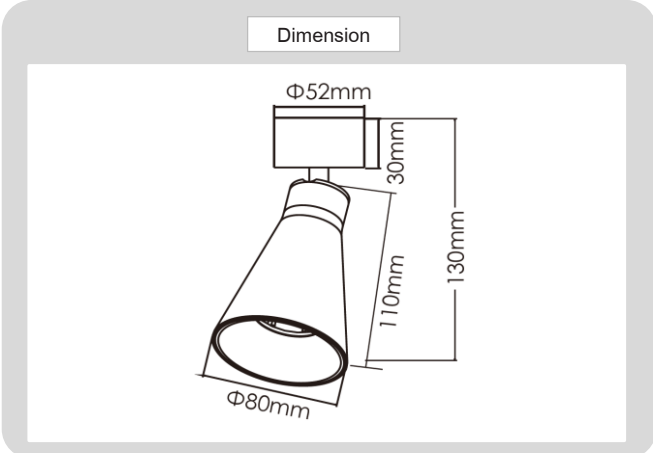


Product



Specification

HOUSING DETAILS

PRODUCT CODE	:	SP-321-XD901LG
NAME	:	SPOTLIGHT
BRAND	:	ARTISAN LIGHTING PHUKET
MATERIAL	:	ALUMINUM DIE-CAST
FINISHING	:	POWDER COATED WHITE, BLACK, GOLD
ADJUSTABLE	:	YES
DIMENSION	:	D80 X 110 X H130 mm.
LAMP TYPE OPTION	:	GU10, (MR16 GU5.3 OPTIONAL)
IP RATING	:	IP20
REMARK	:	LED GU10 NOT INCLUDED