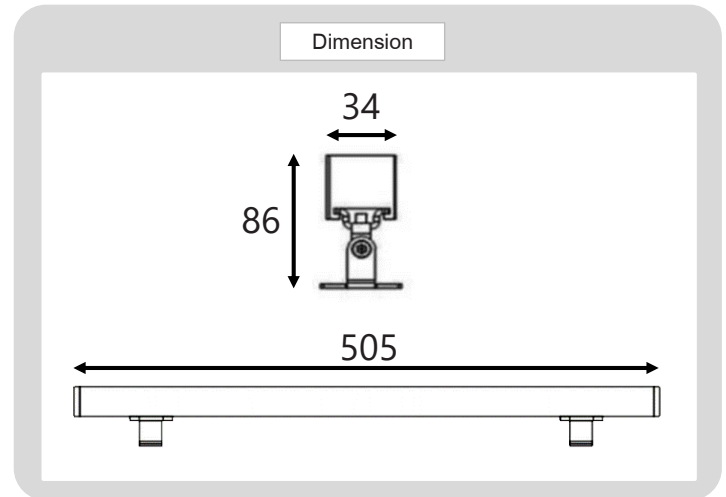


## Product



## Specification

### HOUSING DETAILS

|                  |   |                                    |
|------------------|---|------------------------------------|
| PRODUCT CODE     | : | LED-321-GS015                      |
| NAME             | : | LED LINEAR WALL WASHER             |
| BRAND            | : | ARTISAN LIGHTING PHUKET            |
| MATERIAL         | : | ALUMINUM DIE-CAST, TOUGHENED GLASS |
| FINISHING        | : | GREY                               |
| ADJUSTABLE       | : | YES                                |
| DIMENSION        | : | 34 X 505 X 86 mm.                  |
| MOUNTING DETAILS | : | SURFACE MOUNTING                   |

### LIGHT SOURCE

|                       |   |                       |
|-----------------------|---|-----------------------|
| LAMP TYPE             | : | LED BUILD-IN          |
| INPUT VOLTAGE         | : | 24 VDC                |
| POWER                 | : | 15W 12 LEDs           |
| COLOR TEMPERATURE CCT | : | 3000K                 |
| LUMEN                 | : | 1155lm                |
| CRI                   | : | 80                    |
| BEAM ANGLE            | : | 15, 24, 30, 45 DEGREE |
| IP, IK RATING         | : | IP65, IK06            |
| LIFE TIME             | : | 50000 Hrs             |

### CONTROL INTERFACE

|              |   |                                         |
|--------------|---|-----------------------------------------|
| CONTROL GEAR | : | ON-OFF LED REMOTE DRIVER (NOT INCLUDED) |
| INTERFACE    | : |                                         |
| REMARK       | : |                                         |

**Artisan Lighting Phuket Co.,Ltd.**

100/364-5 Moo.5 Pracha-U-Thid Rd., Rassada, Muang, Phuket 83000 Thailand. Tel : (+66) 076 376 101

Mobile & Line ID : 086 945 8988, 093 579 9471 Email : support@artisanlighting.net, www.artisanlighting.net