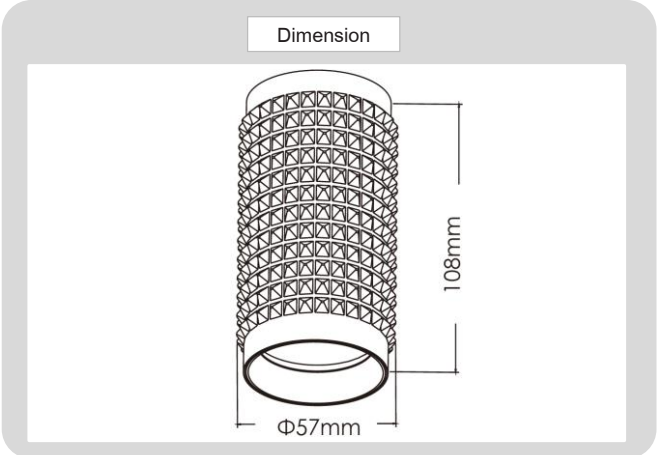


## Product



## Specification

### HOUSING DETAILS

PRODUCT CODE	:	CE-321-XD014BG
NAME	:	SURFACE CEILING DOWNLIGHT
BRAND	:	ARTISAN LIGHTING PHUKET
MATERIAL	:	ALUMINUM DIE-CAST
FINISHING	:	POWDER COATED WHITE, BLACK, GOLDEN
ADJUSTABLE	:	NO
DIMENSION	:	D57 X 108 mm.
LAMP TYPE OPTION	:	GU10, (MR16 GU5.3 OPTIONAL)
IP RATING	:	IP20
REMARK	:	LED GU10 NOT INCLUDED

**Artisan Lighting Phuket Co.,Ltd.**

100/364-5 Moo.5 Pracha-U-Thid Rd., Rassada, Muang, Phuket 83000 Thailand. Tel : (+66) 076 376 101

Mobile & Line ID : 086 945 8988, 093 579 9471 Email : support@artisanlighting.net, www.artisanlighting.net