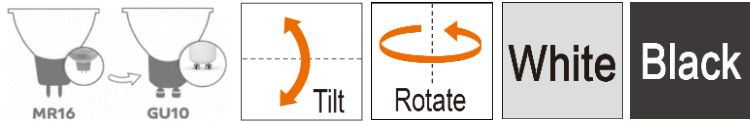
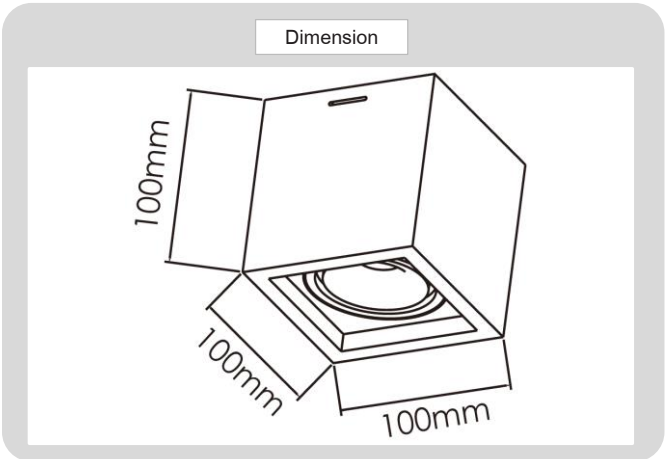


Product



Specification

HOUSING DETAILS

PRODUCT CODE	:	CE-321-GS009-1
NAME	:	SURFACE CEILING DOWNLIGHT
BRAND	:	ARTISAN LIGHTING PHUKET
MATERIAL	:	METAL
FINISHING	:	POWDER COATED WHITE, BLACK
ADJUSTABLE	:	YES
DIMENSION	:	100 X 100 X 100 mm.
LAMP TYPE OPTION	:	GU10, (MR16 GU5.3 OPTIONAL)
IP RATING	:	IP20
REMARK	:	LED GU10 NOT INCLUDED