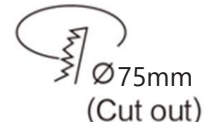
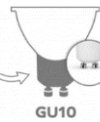
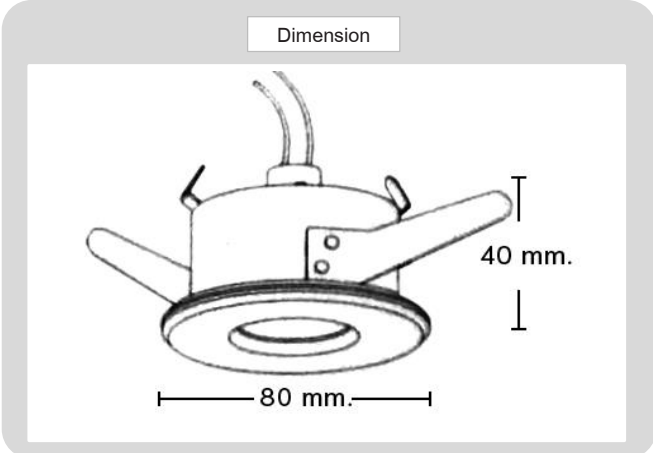


Product



Specification

HOUSING DETAILS

PRODUCT CODE	:	DL-019-ELC110A-WH
NAME	:	RECESSED DOWNLIGHT
BRAND	:	ARTISAN LIGHTING PHUKET
MATERIAL	:	ALUMINUM DIE-CAST
FINISHING	:	POWDER COATED WHITE
ADJUSTABLE	:	NO
DIMENSION	:	D84 X H60 mm.
CUT OUT	:	D75 mm.
LAMP TYPE OPTION	:	GU10, MR16 GU5.3
IP RATING	:	IP 55
REMARK	:	

Artisan Lighting Phuket Co.,Ltd.

100/364-5 Moo.5 Pracha-U-Thid Rd., Rassada, Muang, Phuket 83000 Thailand. Tel : (+66) 076 376 101

Mobile & Line ID : 086 945 8988, 093 579 9471 Email : support@artisanlighting.net, www.artisanlighting.net