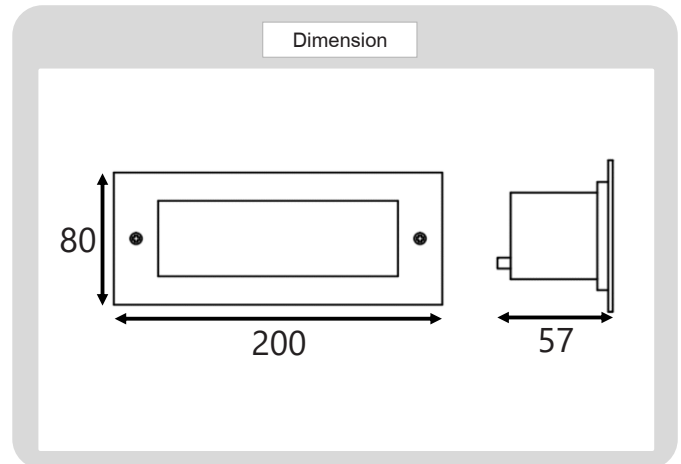


## Product



## Specification

### HOUSING DETAILS

PRODUCT CODE	:	STEP-068-009-5W
NAME	:	STEPLIGHT OUTDOOR
BRAND	:	ARTISAN LIGHTING PHUKET
MATERIAL	:	ALUMINIUM, STAINLESS STEEL, GLASS
FINISHING	:	STAINLESS
DIMENSION	:	200 X 80 X 57 mm
MOUNTING DETAILS	:	RECESSED MOUNTING

### LIGHT SOURCE

LAMP TYPE	:	LED BUILD-IN
INPUT VOLTAGE	:	AC220-240V
POWER	:	5W
COLOR TEMPERATURE CCT	:	3000K, 6400K
LUMEN	:	500lm
CRI	:	80
IP RATING	:	IP65
LIFE TIME	:	30,000 Hrs

### CONTROL INTERFACE

CONTROL GEAR	:	ON-OFF LED DRIVER BUILD-IN
DIMMABLE MODE OPTIONAL	:	NON
REMARK	:	

**Artisan Lighting Phuket Co.,Ltd.**

100/364-5 Moo.5 Pracha-U-Thid Rd., Rassada, Muang, Phuket 83000 Thailand. Tel : (+66) 076 376 101

Mobile & Line ID : 086 945 8988, 093 579 9471 Email : support@artisanlighting.net, www.artisanlighting.net