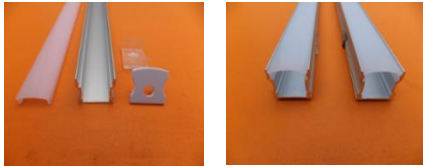
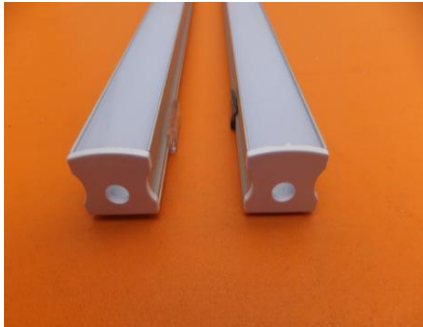
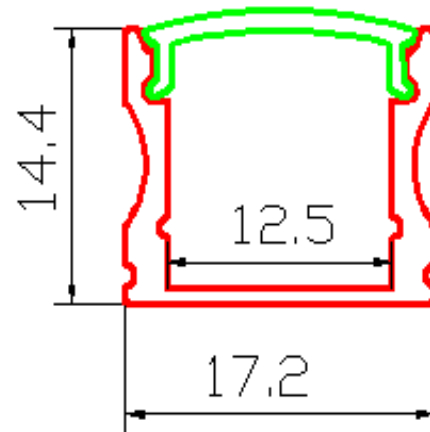


Product



Details



Specification

PRODUCT CODE	:	COV-324-XH-097
NAME	:	CHANNEL ALUMINUM COVER TRACK
BRAND	:	ARTISAN LIGHTING PHUKET
MATERIAL	:	ALUMINUM, OPAL ACRYLIC
COLOUR	:	OPAL ACRYLIC
DIMENSION	:	17.2 x 14 mm.
IP RATING	:	IP20
REMARK	:	

Artisan Lighting Phuket Co.,Ltd.

100/364-5 Moo.5 Pracha-U-Thid Rd., Rassada, Muang, Phuket 83000 Thailand. Tel : +66(076)376101-3

Mobile & Line ID : 0818987671, 0887608371 Email : support@artisanlighting.net/boi@artisanlighting.net/www.artisanlighting.net