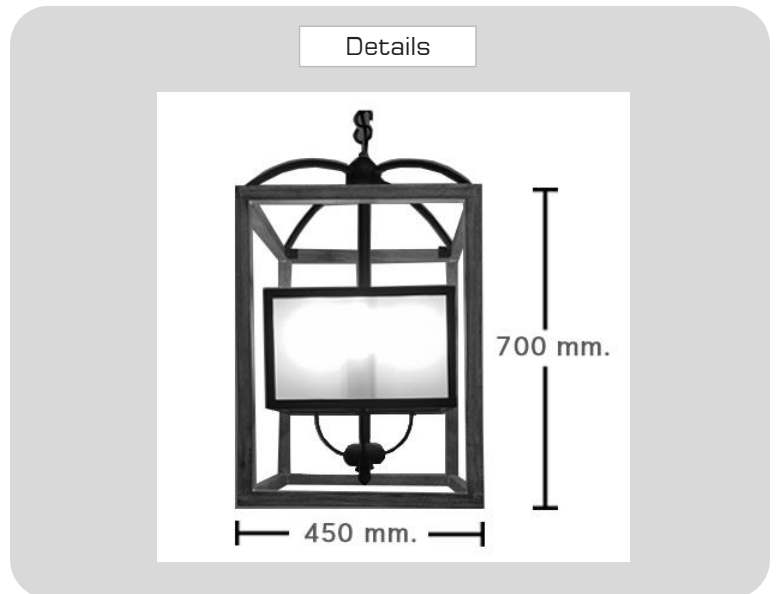


Product



Specification

PRODUCT CODE	:	PE-099-BT-WOOD-1001
NAME	:	PENDANT LAMP
BRAND	:	ARTISAN LIGHTING PHUKET
MATERIAL	:	METAL + WOOD + FROSTED ACRYLIC
COLOUR	:	BROWN + NATURAL WOOD
LAMP TYPE	:	E14 + 4
DIMENSION	:	450 x 450 x 700 mm.
REMARK	:	MADE TO ORDER ANY SIZE

Artisan Lighting Phuket Co.,Ltd.