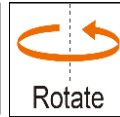
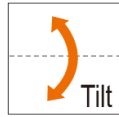
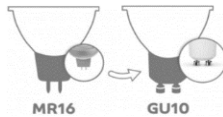
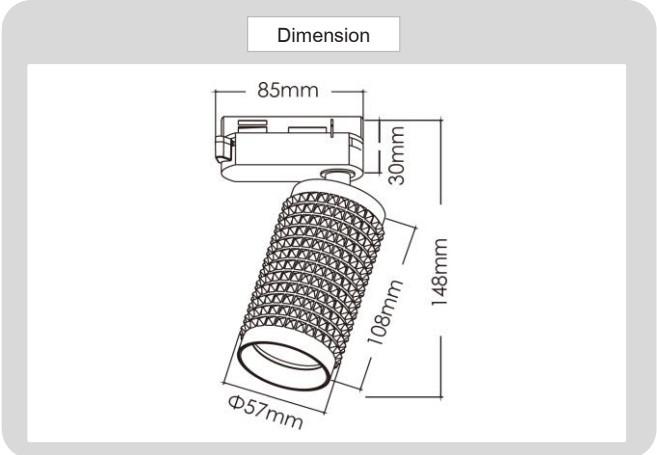


Product



Specification

HOUSING DETAILS

| | | |
|------------------|---|--------------------------------------|
| PRODUCT CODE | : | TRA-321-GD901BG |
| NAME | : | TRACK SPOTLIGHT |
| BRAND | : | ARTISAN LIGHTING PHUKET |
| MATERIAL | : | ALUMINUM DIE-CAST |
| FINISHING | : | POWDER COATED WHITE, BLACK, GOLD |
| ADJUSTABLE | : | YES |
| DIMENSION | : | D57 X 108 X H148 mm. |
| LAMP TYPE OPTION | : | GU10, (MR16 GU5.3 OPTIONAL) |
| IP RATING | : | IP20 |
| REMARK | : | LED BULB, TRACK PROFILE NOT INCLUDED |

Artisan Lighting Phuket Co.,Ltd.

100/364-5 Moo.5 Pracha-U-Thid Rd., Rassada, Muang, Phuket 83000 Thailand. Tel : (+66) 076 376 101

Mobile & Line ID : 086 945 8988, 093 579 9471 Email : support@artisanlighting.net, www.artisanlighting.net